

# 5G AIoT 4X/12X Pro Bullet Plus Network Camera



IP67

AF Lens



DATASHEET

## KEY FEATURES

- ▶ Smart IR II (Combining the High Beam and Low Beam to adjust IR intensity to fit different lighting conditions.)
- ▶ P2P (Remotely access the camera using 5G network via P2P with hassle-free setup and easy connection.)
- ▶ 100fps High Frame Rate (Camera can easily catch images with no latency despite of the high-speed movement.)
- ▶ 0.002Lux Starlight (Deliver high detailed color images even in low light environment reaching 0.002Lux.)
- ▶ 140dB Super WDR (Excellent performance even when the ratio of the luminosity of brightest and darkest is up to 140dB.)
- ▶ HLC (High Light Compensation. Improving image visibility under strong light sources.)
- ▶ Defog (Defog technology. Restoring clear images in hazy and foggy weather.)
- ▶ Integrated Cable Management (Combining the power interface, PoE port, and other interfaces in the base neatly.)
- ▶ Smart Stream (Bandwidth, storage and bit rate are saved with Smart Stream On, eg, H.265+ saves 70%~80% bandwidth that of H.264.)

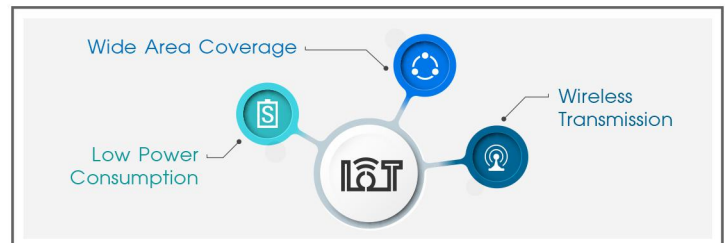
## 5G Technology

Camera responsiveness and real-time monitoring can be greatly enhanced by the larger bandwidth and lower latency of 5G networks, not to mention a leap in ultra-high-definition video or images. The 5G camera comes with its 5G cellular module, which is fit for some scenarios where wiring is inconvenient, and its higher performance of mobility, security and coverage also bring new opportunities for the industry.



## Embedded IoT Technology

The embedded LPWAN technology, one of the fastest-growing IoT communication strategies, empowers wireless and relatively long-distance connection with lower power consumption. And now, the industry-leading IoT technology via LoRaWAN® is applied in Milesight 5G AIoT Camera.



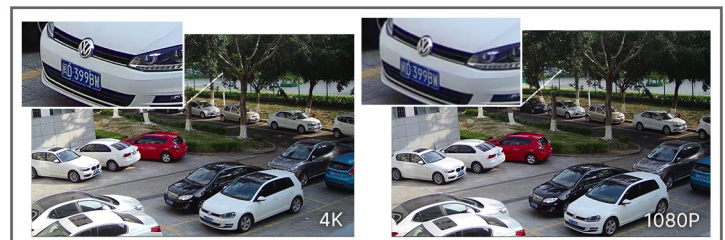
## AI Video Analytics

- 8 intelligent VCA modes powered by AI engine, which can intelligently filter objects to focus on human and vehicle detection.
- People Counting technology provides high accuracy and real-time data based on AI algorithm with statistic reports.
- Face Detection function detects human faces in the monitoring scene and captures the snapshots, which greatly enhances the monitoring efficiency.



## 30fps@4K

Providing 4K HD resolution with frame rate of 30fps, the camera performs well in catching detailed image regardless of the moving speed.



# 5G AIoT 4X/12X Pro Bullet Plus Network Camera



	Model	MS-C2966-X12R(T)GOPC (2MP)	MS-C8266-X4GOPC (4K)
Camera	Image Sensor	1/2.8" Progressive Scan CMOS	1/1.8" Progressive Scan CMOS
	Min. Illumination	Color: 0.002Lux@F1.2 Color: 0.005Lux@F1.6 B/W: 0Lux with IR on	Color: 0.006Lux@F1.2 Color: 0.009Lux@F1.6 B/W: 0Lux with IR on
	WDR	140dB Super WDR <b>(Super WDR Pro is optional for T Series)</b>	120dB Super WDR
	Shutter Time	1/100000s~1s	
	IR Distance	Up to 180m	
	Day/Night Mode	Day/Night/Auto/Customize/Schedule	
	S/N	>55dB	
	Lens	5.3~64mm, 12X Optical Zoom	8~32mm, 4X Optical Zoom
	Field of View	H61°~H5°/D69°~D5°/V36°~V2°	H44°~H13°/D51°~D15°/V25°~V7°
	Mount	Φ14	
	Focus Control	Auto/Manual	
	Aperture	F1.6~F2.8	F1.6-F1.7
	Iris Control	Auto	
Video	Max. Image Resolution	1920x1080	3840x2160
	Primary Stream	60Hz: <b>100fps@(1920x1080)(Optional for T Series)</b> , 60fps@(1920x1080, 1280x960, 1280x720, 704x576) 50Hz: <b>100fps@(1920x1080)(Optional for T Series)</b> , 50fps@(1920x1080, 1280x960, 1280x720, 704x576)	60Hz: 30fps@(3840x2160, 3072x2048, 2592x1944, 2592x1520, 2048x1536, 1920x1080, 1280x960, 1280x720, 704x576) 50Hz: 25fps@(3840x2160, 3072x2048, 2592x1944, 2592x1520, 2048x1536, 1920x1080, 1280x960, 1280x720, 704x576)
	Secondary Stream	60Hz: 60fps@(704x576, 640x480, 640x360, 352x288, 320x240, 320x192, 320x180) 50Hz: 50fps@(704x576, 640x480, 640x360, 352x288, 320x240, 320x192, 320x180)	60Hz: 30fps@(704x576, 640x480, 640x360, 352x288, 320x240, 320x192, 320x180) 50Hz: 25fps@(704x576, 640x480, 640x360, 352x288, 320x240, 320x192, 320x180)
	Tertiary Stream	60Hz: 30fps@(1920x1080, 1280x720, 704x576, 640x480, 640x360, 320x240, 320x192, 320x180) 50Hz: 25fps@(1920x1080, 1280x720, 704x576, 640x480, 640x360, 320x240, 320x192, 320x180)	
	Video Compression	H.265+/H.265(HEVC)/H.264+/H.264/MJPEG	
	Video Bit Rate	16Kbps~16Mbps(CBR/VBR Adjustable)	
	Privacy Masking	Up to 28 areas(24 mask areas and 4 mosaic areas)	
	ROI	Up to 8 areas	
	Image Setting	Brightness/Contrast/Saturation/Sharpness	
Interface	Ethernet	1*RJ45 10M/100M Ethernet Port	
	Audio I/O	1/1	
	Alarm I/O	1/1	

# 5G AIoT 4X/12X Pro Bullet Plus Network Camera



<b>Mobile Communication Parameter</b>	Wireless Communication		Support 5G/4G/3G
	Frequency Bands	5G NR	n1/n2/n3/n5/n7/n8/n12/n20/n28/n41/n66/n71/n77/n78/n79
		LTE-FDD	B1/B2/B3/B4/B5/B7/B8/B9/B12/B13/B14/B17/B18/B19/B20/B21(TBD)/ B25/B26/B28/B29/B30/B32/B66/B71
		LTE-TDD	B34/B38/39/B40/B41/B42/B48
		LAA	B46
		WCDMA	B1/B2/B3/B4/B5/B6/B8/B19
		GNSS	GPS/GLONASS/BeiDou/Galileo
	Wireless Transmission Speed	SA	DL 3.3Gbps; UL 250Mbps
		NSA	DL 3.4Gbps; UL 200Mbps
		LTE	DL 2.0Gbps; UL 150Mbps
WCDMA		DL 42Mbps; UL 5.76Mbps	
SIM Card		Nano SIM	
<b>LoRaWAN®</b>	Antenna	1*50 Ω SMA-Female External Antenna Connector	
	Channel	8 channels simultaneously	
	Demodulation	1Mhz	
	Frequency Band	CN470/IN865/EU868/RU864/US915/AU915/KR920/AS923/AS923-2	
	Sensitivity	-140dBm Sensitivity @292bps	
	Output Power	27dBm Max	
	Protocol	V1.0 Class A/Class B/Class C and V1.0.2 Class A/Class B/Class C	
	Communication Range	Up to 15km	
<b>Network</b>	Network Storage	NAS(Support NFS, SMB/CIFS), ANR	
	Protocol	IPv4/IPv6, ARP, TCP, UDP, RTCP, RTP, RTSP, RTMP, HTTP, HTTPS, DNS, DDNS, DHCP, FTP, NTP, SMTP, SNMP, UPnP, Bonjour, SIP, PPPoE, VLAN, 802.1x, QoS, IGMP, ICMP, SSL	
<b>Audio</b>	Audio Compression	G.711/AAC/G.722/G.726	
	Audio Sampling Rate	8/16/32/44.1/48KHz	
	Audio Bit Rate	16~256kbps	
	Two-way Audio	Support	
<b>Intelligent Analytics</b>	Video Analysis	Region Entrance, Region Exiting, Advanced Motion Detection, Tamper Detection, Line Crossing, Loitering, Object Left, Object Removed	
	Face Detection	Detect and capture faces, get real-time snapshots	
	People Counting& Report	Count the number of people entering or exiting, up to 4 detection areas for regional people counting	

# 5G AIoT 4X/12X Pro Bullet Plus Network Camera

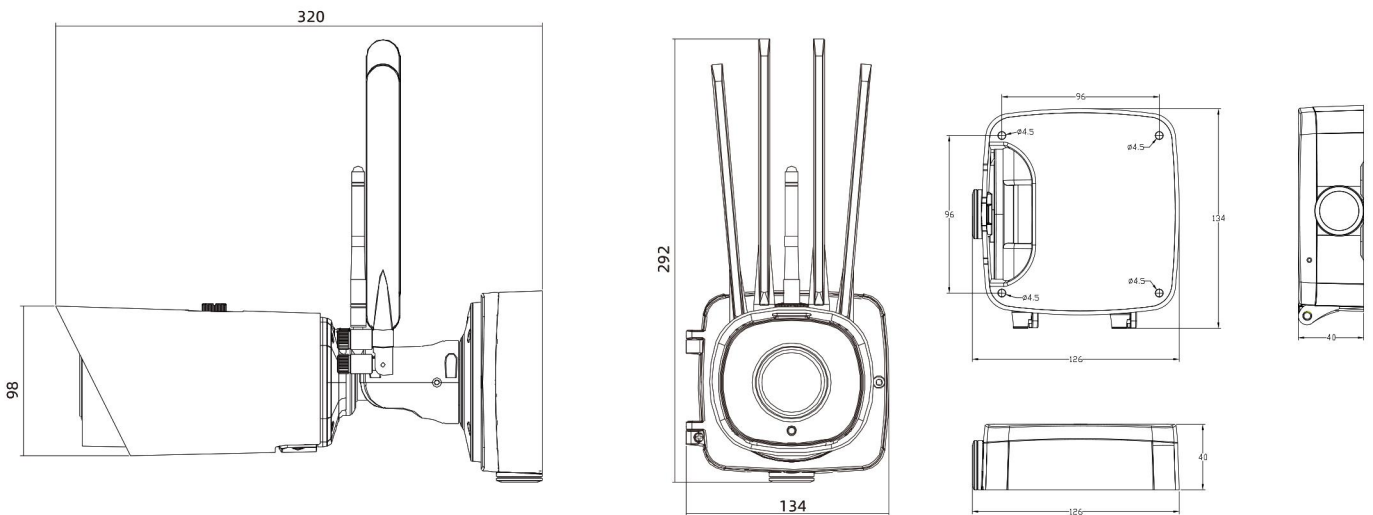
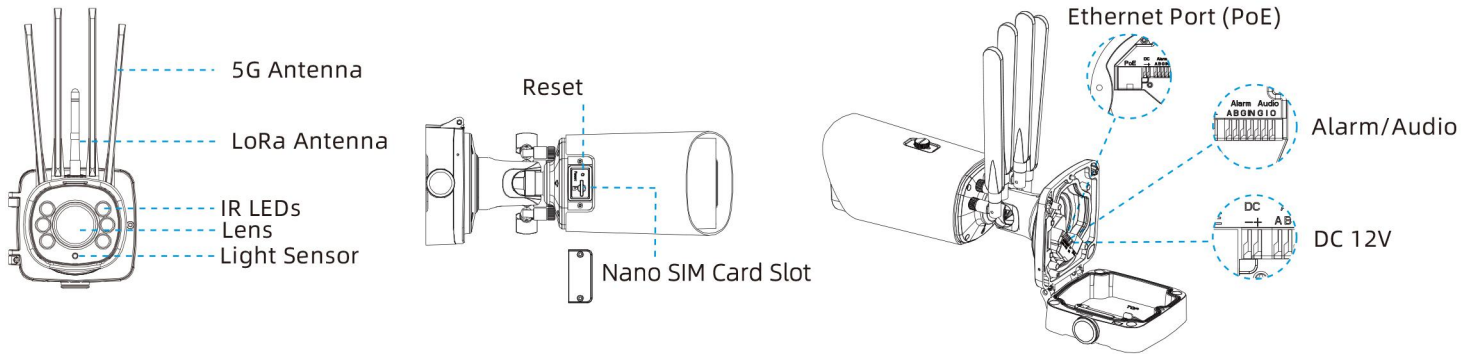


<b>System</b>	Storage	Support microSD/SDHC/SDXC Card Local Storage, up to 256G	
	Advanced Function	Heat Map, BLC, HLC, 2D DNR, 3D DNR, Defog, AWB, EIS, IP Address Filtering, AGC, Anti-flicker, Corridor Mode, Deblur, Watermark	
	SIP/VoIP Support	Yes, Voice & Video-over-IP	
	Event Trigger	IoT Sensor Alarm, Motion Detection, Network Disconnection, External Input, Audio Alarm, etc.	
	Event Action	FTP Upload, SMTP Upload, SD Card Record, External Output, SIP Phone, HTTP Notification, etc.	
	System Compatibility	ONVIF Profile G & Q & S & T, API	
<b>General</b>	Working Temperature	-40°C~60°C	
	Working Humidity	0~90%(Non-condensing)	
	Power Supply	PoE (802.3at) / DC 12V±10%	
	Power Consumption	10W MAX 16W MAX (With IR on)	12W MAX 18W MAX (With IR on)
	Surge Protection	4KV	
	Weather Proof	Up to IP67-rated for Weather-resistant Performance (Only for camera body)	
	Weight	1636g	
	Dimensions	320mmX134mmX126mm 320mmX134mmX292mm (With Antennas)	
	Warranty	3/5 Years	

# 5G AIoT 4X/12X Pro Bullet Plus Network Camera



## Structure Diagrams



Units: mm

## Accessories Support

A01 Pole Mount

Weight: 720g  
Dimensions: 170\*51.5\*152.6mm



A03 External Corner Bracket

Weight: 900g  
Dimensions: 170\*152.5\*76.3mm



A62 Junction Box

Weight: 510g  
Dimensions: 134\*126\*40mm



**Milesight Technology** | [www.milesight.com](http://www.milesight.com)  
Contact Us: [sales@milesight.com](mailto:sales@milesight.com) [support@milesight.com](mailto:support@milesight.com)

Add: 220 NE 51st Street, Oakland Park, Florida 33334, USA  
Tel: +1-800-561-0485

Add: 925, Anyang SK V1 Center, LS-ro 116beon-gil, Dongan-gu, Anvng-si, Korea  
Tel: +82-31-990-7732

Add: Building C09, Software Park Phase III, Xiamen 361024, Fujian, China  
Tel: +86-592-5922772

